

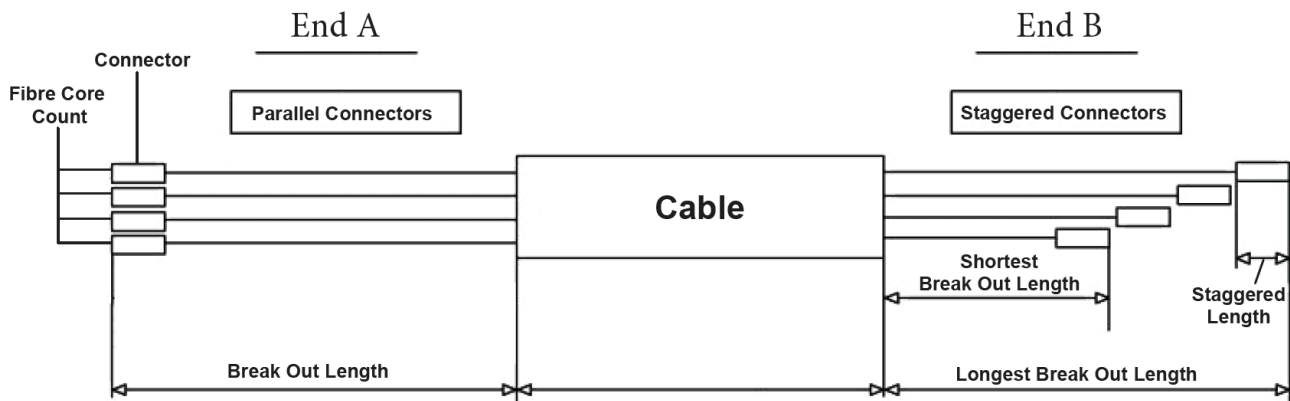
PRE-TERMINATED FIBRE CABLE ORDER FORM

MSS Data Solutions can manufacture a large range of pre-terminated fibre cables to suit your specific application requirements. From straight forward patch cords to custom military spec cable, MSS Data Solutions has the resources and expertise to deliver a quality product with short lead time and friendly customer service.

Features

- Fully tested and ready to be installed
- Manufactured to required length, colour & connector type
- Pulling conduit assemblies available
- Custom labelling
- Cable drum for re-deployment
- Tested to AS/NZS3080, ISO 110801 Performance Standards
- Cables provided with a test report
- ACMA Compliant: N15531

Ordering Details



<p>END A</p> <p>Connector Type:</p> <p><input type="checkbox"/> ST <input type="checkbox"/> FCA</p> <p><input type="checkbox"/> SC <input type="checkbox"/> LC</p> <p><input type="checkbox"/> SCA <input type="checkbox"/> LCA</p> <p><input type="checkbox"/> FC</p> <p>Break Out Details:</p> <p><input type="checkbox"/> Staggered</p> <p><input type="checkbox"/> Parallel</p> <p><input type="checkbox"/> Over sleeving 1.8mm</p> <p><input type="checkbox"/> Over sleeving 3mm</p> <p><small>*see diagram above</small></p>	<p>CABLE</p> <p>Fibre Mode:</p> <p><input type="checkbox"/> OS1 – Singlemode 9/125</p> <p><input type="checkbox"/> OM1 – Multimode 62.5/125</p> <p><input type="checkbox"/> OM3 – Multimode 50/125</p> <p><input type="checkbox"/> OM4 – Multimode 50/125</p> <p>Fibre Cable Type:</p> <p><input type="checkbox"/> Tight buffered indoor/outdoor</p> <p><input type="checkbox"/> Loose tube underground cable</p> <p><input type="checkbox"/> Microcable</p> <p>Where will the cable be installed?</p> <p><input type="checkbox"/> Indoor <input type="checkbox"/> Underground</p> <p><input type="checkbox"/> Outdoor</p> <p>Core Count: Length (metres):</p> <p>_____</p> <p>Cable Drum</p> <p><input type="checkbox"/> Recommended for cables >50m</p>	<p>END B</p> <p>Connector Type:</p> <p><input type="checkbox"/> ST <input type="checkbox"/> FCA</p> <p><input type="checkbox"/> SC <input type="checkbox"/> LC</p> <p><input type="checkbox"/> SCA <input type="checkbox"/> LCA</p> <p><input type="checkbox"/> FC</p> <p>Break Out Details:</p> <p><input type="checkbox"/> Staggered</p> <p><input type="checkbox"/> Parallel</p> <p><input type="checkbox"/> Over sleeving 1.8mm</p> <p><input type="checkbox"/> Over sleeving 3mm</p> <p><small>*see diagram above</small></p> <p>Hauling Options:</p> <p><input type="checkbox"/> Pulling conduit</p> <p><input type="checkbox"/> Standard flexi protection</p>
--	---	---

*Send the completed form to your account manager or to sales@mssdatasolutions.com.au

Submit